

860SJ TELESCOPIC BOOM LIFTS

Platform

- 0.91 m x 2.44 m low mount platform
- Side entry with drop bar mid rail
- Multiple function operation
- Full proportional drive joystick control with integral thumb steer switch
- Full proportional main boom and swing joystick control
- Multiple speed control for telescope and platform rotate
- Selectable creep speed on drive / lift and swing functions
- 1.83 m articulating jib
- 180 degree powered platform rotator
- Platform console machine status light panel ¹
- Load sensing system
- AC cable to platform

Power & Transmission

- Deutz D2011L04 (46 kW) diesel engine
- Engine distress warning/shut down system ²
- Gull-wing hoods
- Swing-out engine tray
- Spark arresting type muffler
- Control ADE® -
Advanced Design Electronics System
- Hydrostatic drive transmission
- Horn
-

Functional Equipment & Accessories

- 4 degree tilt alarm and indicator light
- 18 - 625 foam filled lug tread tyres
- Fixed-width frame (extending axles not required)
- Load sensing boom function pump
- Lifting/tie down lugs
- Hour meter
- Ground control selector switch with key lock
- Platform tool tray
- 12V DC auxiliary power

Available Options

- 0.91 m x 1.83 m low mount platform
- Side entry with inward swing gate
- 13 mm air line to platform
- Sheet metal hoods
- Four wheel drive
- 15 - 625 foam filled lug tread tyres
- Oscillating front axle
- On-board 4,000 W generator
- SkyPower® package 7,500 watt on-board generator
- SkyWelder® package 250 amp welder in the platform ³
- Nite-Bright® package ⁴
- Tow Package ⁵
- All motion alarm
- Alarm package ⁶
- Light package ⁷
- Head and tail lights
- Flashing amber beacon
- Plugs & Sockets
- Hostile environment package ⁸
- Hydraulic oil cooler
- Catalytic Purifier Muffler
- Corner storage tray



¹ Provides indicator lights at platform control console for system distress, low fuel, tilt light, and foot switch status.

² Low oil pressure and high coolant temperature alarms with shut-down enabled/disabled by analyser.

³ Available when integrated with the SkyPower® package.

⁴ Consists of six 40-watt lights, four turntable mounted lights and two platform mounted lights.

⁵ Available only with two wheel drive on models 800S and 860SJ.

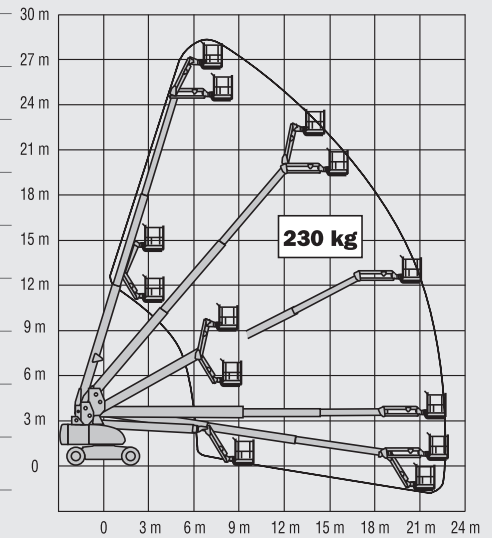
⁶ Includes all-motion alarm and flashing amber beacon.

⁷ Includes platform mounted work lights and head & tail lights.

⁸ Includes console cover, boom wipers and cylinder bellows.

860SJ TELESCOPIC BOOM LIFTS

Platform Height	26.21 m
Horizontal Outreach	22.86 m
Swing (Continuous)	360°
Platform Capacity – Unrestricted	230 kg
Platform Rotator (Hydraulic)	180°
Jib – Overall Length	1.83 m
Jib - Range of articulation	130° (+70°/-60°)
A. Platform Size	0.91 m x 2.44 m
B. Overall Width	2.49 m
C. Tailswing (working condition)	1.42 m
D. Stowed Height	3.05 m
E. Stowed Length	12.19 m
F. Wheelbase	3.05 m
G. Ground Clearance	0.30 m
Machine weight ¹	17,200 kg
Maximum Ground Bearing Pressure	6.5 kg/cm ²
Drive Speed 2WD	5.6 km/h
Drive Speed 4WD	5.6 km/h
Gradeability 2WD	30%
Gradeability 4WD	45%
Tyres	18 - 625 Foam Filled
Axle Oscillation	0.20 m
Turning Radius – Inside	3.66 m
Turning Radius – Outside	6.86 m
Diesel Engine - Deutz D2011L04 ²	46 kW
Fuel Tank Capacity	117 L
Hydraulic System	235 L
Auxiliary Power	12V DC

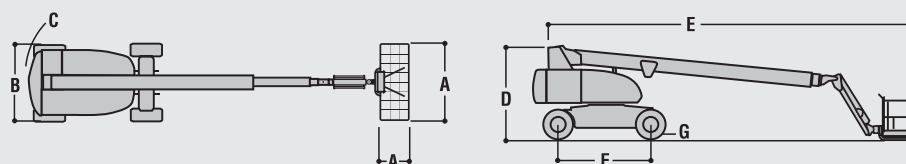


JLG Industries, Inc. is a leading designer and manufacturer of access equipment and complementary services and attachments.

JLG has manufacturing facilities in the United States, France, Romania, China and Belgium. Customers throughout Europe, Scandinavia, Africa and the Middle East benefit from a network of dedicated sales and service operations designed to deliver the highest levels of support.

JLG is an Oshkosh Corporation company.

www.jlgeurope.com



¹ Certain options or country standards may increase weight and/or dimensions.
² With EGR.